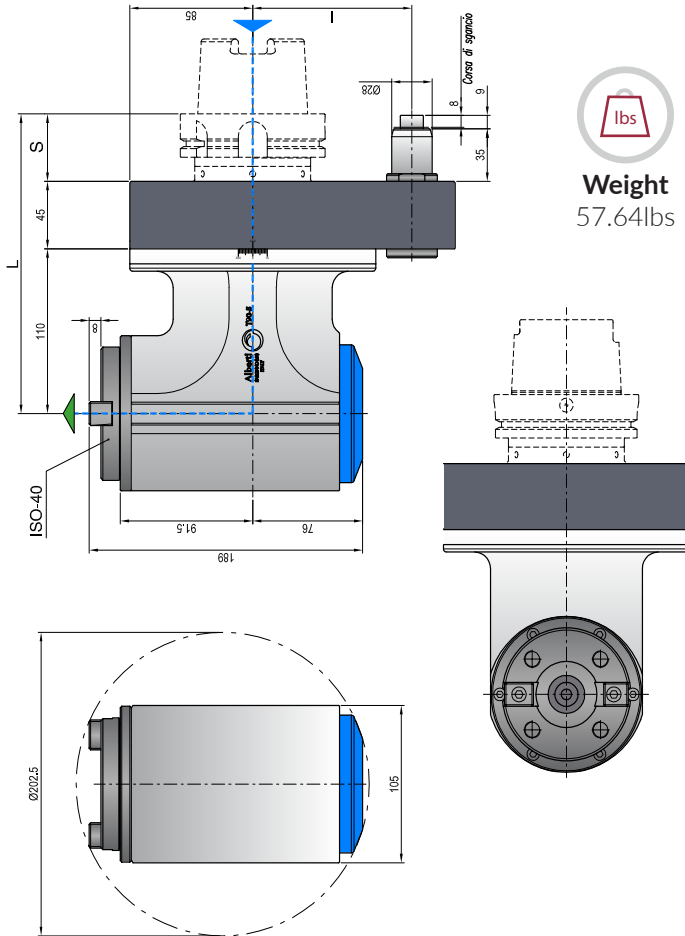


### Angle Head Dimensions

Reference Only • Detailed drawings available upon request



**Weight**  
57.64lbs

◀ Direction of rotation same as machine spindle

▶ Max coolant pressure 100bar, 1450 psi

- Also available without coolant.  
Maximum speed 4,000 min<sup>-1</sup>

### Technical Features



Ratio

1.1



RPM

5.000 min<sup>-1</sup>



Max. axial load

1.800 N



Torque

160 Nm



Tapping

Max. M24



Collet

ISO/BT 40

INPUT TAPER	SIZE	I	S	L
<b>DIN-69871</b>	50	110	35	190
<b>CAT</b>	50	110	35	190
<b>MAS-BT</b>	50	110	41	196
<b>HSK</b>	100	110	45	200
<b>CAPTO</b>	C8	110	40	195

### PLUS

- Dry running also possible (3,000 min<sup>-1</sup>)
- Increased torque thanks to bigger gears
- New drive system with pins for gear set
- One-hand wrench to tighten the tool